



# MR16/GU10/PAR16

## 7MR16 ExpertColor F25 930 D 10/1

Philips MR16 Dimmable LED Lamps provide ambient level light to illuminate hard to maintain applications. Increased transformer compatibility allows for operation on a wider range of transformers. Available in dimmable and non-dimmable versions, these lamps are ideal for track and open recessed fixtures in retail, hospitality and residential spaces.

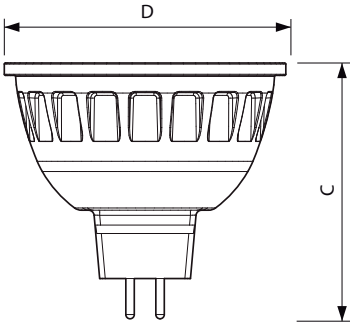
### Product data

General Information		Lamp Current (Nom)	
Cap-Base	GU5.3 [ GU5.3]	Wattage Equivalent	42 W
Nominal Lifetime (Nom)	40000 h	Starting Time (Nom)	0.5 s
Switching Cycle	50000X	Warm Up Time To 60% Light (Nom)	0.5 s
Technical Type	7-42W	Power Factor (Nom)	0.7
		Voltage (Nom)	12 V
Light Technical		Temperature	
Color Code	930 [ CCT of 3000K]	T-Case Maximum (Nom)	92 °C
Beam Angle (Nom)	25 °		
Luminous Flux (Nom)	460 lm	Controls and Dimming	
Luminous Flux (Rated) (Nom)	460 lm	Dimmable	Yes
Luminous Intensity (Nom)	2350 cd	Approval and Application	
Color Designation	White (WH)	Suitable For Accent Lighting	Yes
Rated Beam Angle	25 °	Product Data	
Correlated Color Temperature (Nom)	3000 K	Order product name	7MR16 ExpertColor F25 930 D 10/1
Luminous Efficacy (rated) (Nom)	65.71 lm/W	EAN/UPC - Product	046677470173
Color Consistency	<3	Order code	929001342104
Color Rendering Index (Nom)	95	Numerator - Quantity Per Pack	1
LLMF At End Of Nominal Lifetime (Nom)	70 %	Numerator - Packs per outer box	10
Operating and Electrical			
Power (Rated) (Nom)	7 W		

# MR16/GU10/PAR16

Material Nr. (12NC)	929001342104
Net Weight (Piece)	0.034 kg

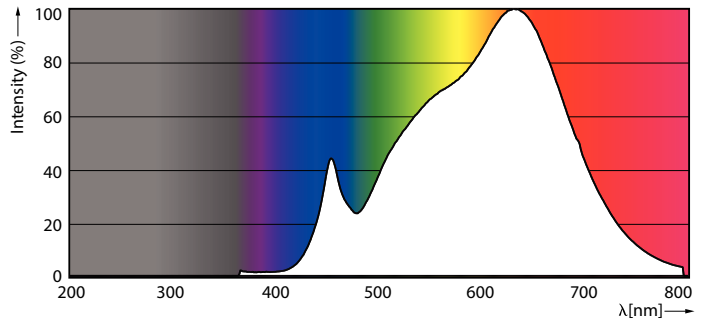
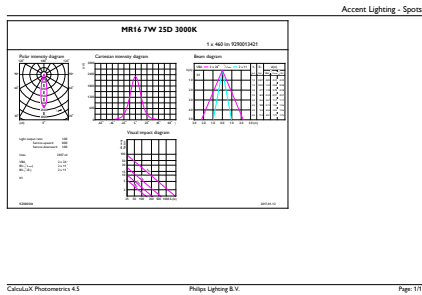
## Dimensional drawing



MR16 12V 6.5-42W 450lm 25D 3000K GU5.3 D

Product	D	C
7MR16 ExpertColor F25 930 D 10/1	51 mm	46 mm

## Photometric data



LEDspots MR16 7W 3000K

