



Centium T8HO

CENTIUM ELE BALLAST (2) F96T8/HO 120-277V

Centium T8 High Output Solution for Cold Environments

Product data

• General Information

Lamp Type	F96T8-HO
Number of Lamps	1/2 piece/unit
Ballast Type	Electronic Fluorescent
Base Model	ICN2S86SC
Suitable For Outdoor Use	Yes
Automatic Restart	Yes

• Operating and Electrical

Input Voltage	120 to 277 V
Input Frequency	50 to 60 Hz
Max THD	10 %
Starting Method	Programmed Start
Lamp Current Crest Factor (Nom)	1.6
Ignition Time (Nom)	1.5 s
Ballast Factor (Nom)	1.00
Power Factor (Nom)	0.99
Input Current (Operating) (Max)	1.52 A
Input Current (Operating) (Min)	0.65 A
Input Power (Nom)	182-178 W
Rated Lamp Watts	86W W

• Wiring

Color Input Terminals	No terminals
Color Output Terminals	No terminals
Wire Striplength	0.50/0.375 mm
Lamp Connection Series	Series
Wire Length By Color	See data sheet

Wire Gauge (Nom)	18AWG mm
Wire Type	Solid
Remote Wiring Configuration Allowed	Yes
Tandem Wiring Configuration Allowed	Yes
Through Wiring Configuration Allowed	Yes
Max Ballast-Lamp Distance Remote Wiring	12'
Max Ballast-Lamp Distance Tandem Wiring	Blue = 12'
Max Ballast-Lamp Distance Through Wiring	Blue = 12'
Connector Type	No connector

• Temperature

T-Case Maximum (Nom)	70 °C
----------------------	-------

• Mechanical and Housing

Housing Material	Metal
Housing	SC
Housing Dimensions	9.5" x 1.7" x 1.18"

• Approval and Application

EMC Immunity Standard	FCC Non-Consumer
-----------------------	------------------

PHILIPS

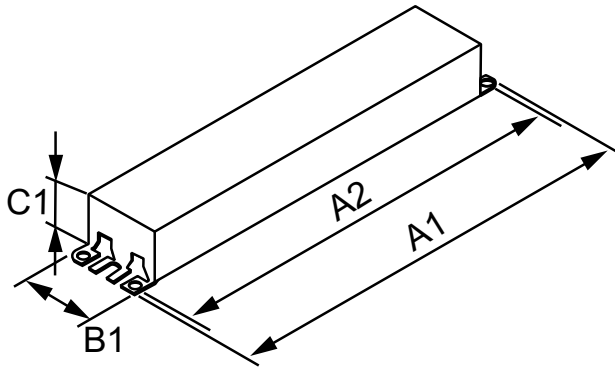
Approbation Marks CSA certificate
 UL certificate
 CEC Listing
 Circle E logo
 DOE
 RoHS Compliant
 Sound Rating A
 UL Recognized No

EAN/UPC - Product 781087138458
 Order code ICN2S86SC35I
 Numerator - Quan- 1
 tity Per Pack
 Numerator - Packs 10
 per outer box
 Material Nr. (12NC) 913701264801
 Net Weight (Piece) 0.577 kg

• **Product Data**

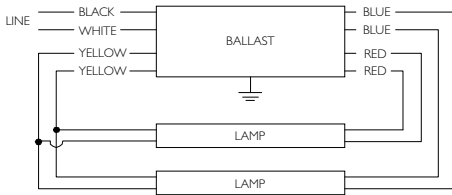
Order product name CENTIUM ICN2S86SC35I

Dimensional drawing



ELE BALLAST (2) F96T8/HO 120-277V

Product	A1	A2	B1	C1
CENTIUM ICN2S86SC35I	9.5 in	8.9 in	1.7 in	1.18 in



© 2016 Philips Lighting Holding B.V.
All rights reserved.

Specifications are subject to change without notice. Trademarks are the property of Koninklijke Philips N.V. (Royal Philips) or their respective owners.

www.philips.com/lighting

2016, February 1
data subject to change