



F-can (72C)

F-CAN HID MH BAL 50W M110 120/277V FCAN

The Philips Advance line of F-can HID ballasts comes in two dual-voltage configurations for the US and Canadian market. Ballasts for these luminaires are most often encased and potted in fluorescent ballast type cans.

Product data

• General Information

ANSI Code	M110 (Pulse Start)
Lamp Type	50W MH
Number of Lamps	1 piece/unit
Circuit Type	HX-HPF
Ballast Type	Magnetic HID
Base Model	72C5181
Suitable For Outdoor Use	Yes
Ignitor Catalog Number	Inside Can
Capacitor Catalog Number	Inside Can
Automatic Restart	No

• Operating and Electrical

Input Voltage	120/277 V
Input Frequency	60 Hz
Inp. Current (Open Circuit)	1.15/0.5 A
Input Current (Starting)	0.8/0.35 A
Input Current (Short Circuit)	0.25-0.45/0.1-0.2 A
Secondary Short Circuit Current	0.7-0.85 A
Constant Wattage Deviation	10%
Ballast Factor (Nom)	1
Power Factor (Nom)	0.90
Nominal Open Circuit Voltage	254 V
Input Current (Operating) (Nom)	0.65/0.3 A A
Input Power (Nom)	72 W
Rated Lamp Watts	50W W

• Wiring

Wire Striplength	0.5 mm
Wire Length By Color	12"
Wire Type	Stranded
Remote Wiring Configuration Allowed	Yes
Max Ballast-Lamp Distance Remote Wiring	25'
Recommended Fuse Value	3/2 A

• Mechanical and Housing

Housing Material	Metal
Housing	F-Can
Housing Dimensions	11.75 x 2.63 x 3.19

• Approval and Application

Open Circuit Voltage Test (Volts)	230-280 V
Temperature Marking	90°C max. case
UL Recognized	No
Hipot Test (1 Minute)	1600 V
Hipot Test (2 Seconds)	2000 V
UL Insulation Class	A(105°C)
UL Temperature Code	NA

PHILIPS

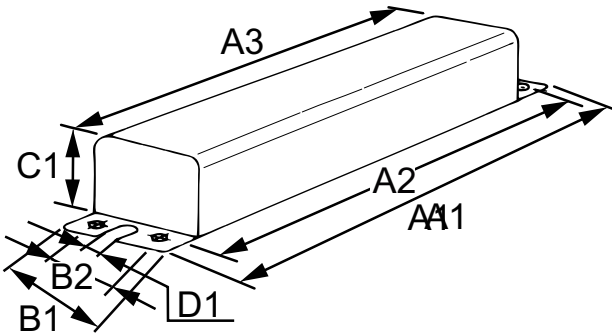
F-can (72C)

• Product Data

Order product name F-CAN HID 72C5181NP001
EAN/UPC - Product 781087025192
Order code 72C5181NP001
Numerator - Quantity Per Pack 1

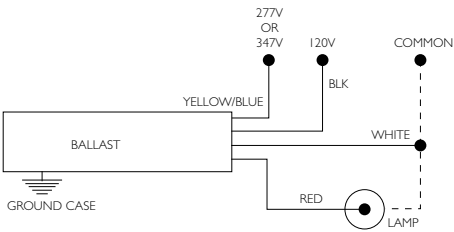
Numerator - Packs per outer box 1
Material Nr. (12NC) 913710407301
Net Weight (Piece) 3.498 kg

Dimensional drawing



MH BAL 50W M110 120/277V FCAN

Product	A1	A2	A3	B1	B2	C1	D1
F-CAN HID 72C5181NP001	12 in	11.13 in	10.5 in	3.9 in	2.0 in	2.6 in	0.3 in



© 2016 Philips Lighting Holding B.V.
All rights reserved.

Specifications are subject to change without notice. Trademarks are the property of Koninklijke Philips N.V. (Royal Philips) or their respective owners.

www.philips.com/lighting

2016, February 1
data subject to change