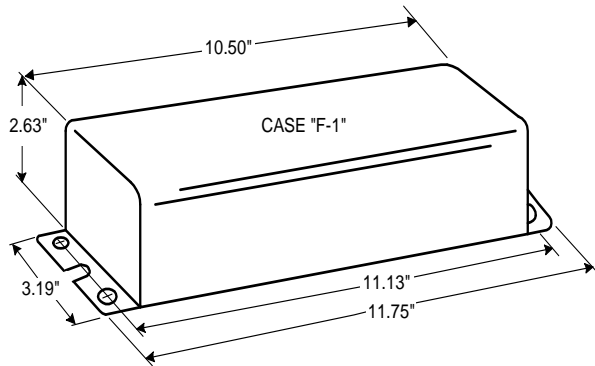


**PHILIPS
ADVANCE**

**Metal
Halide
Lamp Ballast**

**Catalog Number 72C5181
For 50W M110
60 Hz HX-HPF
Status: Active**

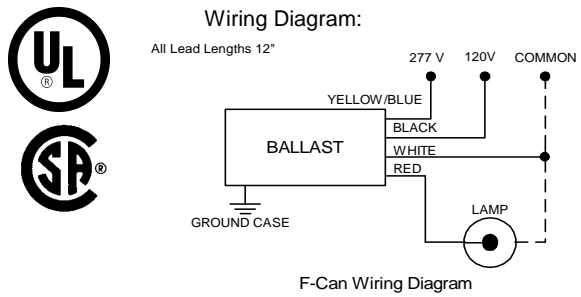
DIMENSIONS AND DATA



INPUT VOLTS	120	277			
CIRCUIT TYPE	HX-HPF				
POWER FACTOR (min)	90%				
REGULATION					
Line Volts	±5%				
Lamp Watts	±10%				
LINE CURRENT (Amps)					
Operating.....	0.65	0.30			
Open Circuit.....	1.15	0.50			
Starting.....	0.80	0.35			
UL TEMPERATURE RATINGS					
Insulation Class	A (105°C)				
Coil Temperature Code	1029				
MIN. AMBIENT STARTING TEMP.	-20°F or -30°C				
NOM. OPEN CIRCUIT VOLTAGE	254				
INPUT VOLTAGE AT LAMP DROPOUT.....	90	208			
INPUT WATTS	72				
RECOMMENDED FUSE (Amps).....	3	2			
CORE and COIL					
Dimension (A)					
Dimension (B)					
Weight (lbs.)	9				
Lead Lengths	12"				
CAPACITOR REQUIREMENT					
Microfarads					
Volts (min.)					
Fault Current Withstand (amps)					
60 Hz TEST PROCEDURES (Refer to Advance Test Procedure for HID Ballasts - Form 1270)					
High Potential Test (Volts)					
1 minute	1600				
2 seconds	2000				
Open Circuit Voltage Test (Volts)	230-280				
Short-Circuit Current Test (Amps)					
Secondary Current	0.70-0.85				
Input Current.....	0.25-0.45	0.10-0.20	-	-	-

Capacitor:

The capacitor is included as part of the potted assembly.



Ordering Information

Order Suffix	Description
--------------	-------------

Ignitor: IN CAN

The ignitor is included as part of the potted assembly.

Ballast to Lamp Distance (BTL) = 25 feet
Temp Rating: 90°C

Data is based upon tests performed by Philips Lighting Electronic N.A. in a controlled environment and representative of relative performance. Actual performance can vary depending on operating conditions. Specifications are subject to change without notice.