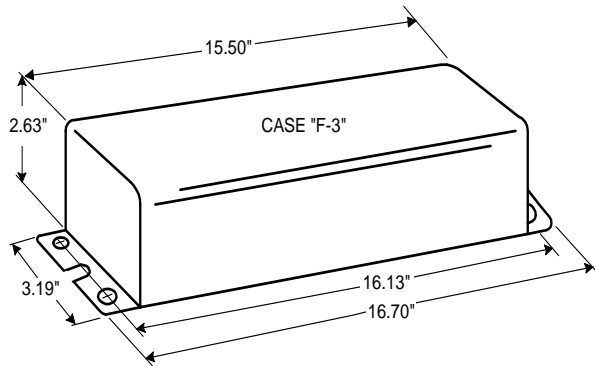


**PHILIPS
ADVANCE**

Metal
Halide
Lamp Ballast

Catalog Number 72C5782
For 250W M58
60 Hz CWA
Status: Active

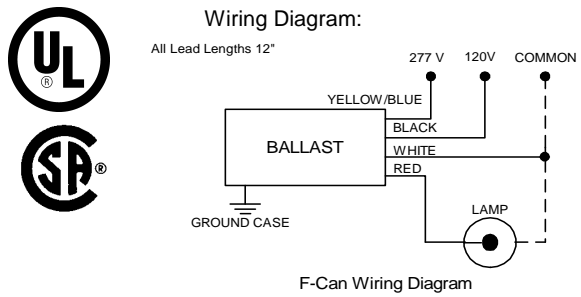
DIMENSIONS AND DATA



INPUT VOLTS	120	277			
CIRCUIT TYPE	CWA				
POWER FACTOR (min)	90%				
REGULATION					
Line Volts	±10%				
Lamp Watts	±10%				
LINE CURRENT (Amps)					
Operating.....	2.60	1.12			
Open Circuit.....	2.10	0.90			
Starting.....	2.10	0.90			
UL TEMPERATURE RATINGS					
Insulation Class	A (105°C)				
Coil Temperature Code	1029				
MIN. AMBIENT STARTING TEMP.	-20°F or -30°C				
NOM. OPEN CIRCUIT VOLTAGE	300				
INPUT VOLTAGE AT LAMP DROPOUT.....	60	138			
INPUT WATTS	290				
RECOMMENDED FUSE (Amps).....	8	4			
CORE and COIL					
Dimension (A)					
Dimension (B)					
Weight (lbs.)	16.5				
Lead Lengths	12"				
CAPACITOR REQUIREMENT					
Microfarads					
Volts (min.)					
Fault Current Withstand (amps)					
60 Hz TEST PROCEDURES (Refer to Advance Test Procedure for HID Ballasts - Form 1270)					
High Potential Test (Volts)					
1 minute	1600				
2 seconds	2000				
Open Circuit Voltage Test (Volts)	270-330				
Short-Circuit Current Test (Amps)					
Secondary Current	2.15-2.65				
Input Current.....	1.70-2.55	0.75-1.10	-	-	-

Capacitor:

The capacitor is included as part of the potted assembly.



Ordering Information

Order Suffix	Description

Ignitor:

NA

This ballast does not require the use of an ignitor.

Data is based upon tests performed by Philips Lighting Electronic N.A. in a controlled environment and representative of relative performance. Actual performance can vary depending on operating conditions. Specifications are subject to change without notice.