



F-can (72C)

F-CAN HID MH BAL 400W M59 120/277V FCAN

The Philips Advance line of F-can HID ballasts comes in two dual-voltage configurations for the US and Canadian market. Ballasts for these luminaires are most often encased and potted in fluorescent ballast type cans.

Product data

• General Information

ANSI Code	M59
Lamp Type	400W MH
Number of Lamps	1 piece/unit
Circuit Type	CWA
Ballast Type	Magnetic HID
Base Model	72C6082
Suitable For Outdoor Use	Yes
Ignitor Catalog Number	NA
Capacitor Catalog Number	Inside Can
Automatic Restart	No

• Operating and Electrical

Input Voltage	120/277 V
Input Frequency	60 Hz
Inp. Current (Open Circuit)	3.85/1.65 A
Input Current (Starting)	3.25/1.4 A
Input Current (Short Circuit)	2.4-3.6/1.05-1.55 A
Secondary Short Circuit Current	3.2-3.9 A
Constant Wattage Deviation	10%
Ballast Factor (Nom)	1
Power Factor (Nom)	0.90
Nominal Open Circuit Voltage	310 V
Input Current (Operating) (Nom)	3.9/1.7 A A
Input Power (Nom)	460 W
Rated Lamp Watts	400W W

• Wiring

Wire Striplength	0.5 mm
Wire Length By Color	12"
Wire Type	Stranded
Remote Wiring Configuration Allowed	Yes
Max Ballast-Lamp Distance Remote Wiring	Determined by AWG used
Recommended Fuse Value	10/5 A

• Mechanical and Housing

Housing Material	Metal
Housing	F-Can
Housing Dimensions	19.2 x 2.63 x 3.19

• Approval and Application

Open Circuit Voltage Test (Volts)	280-340 V
Temperature Marking	90°C max. case
UL Recognized	No
Hipot Test (1 Minute)	1600 V
Hipot Test (2 Seconds)	2000 V
UL Insulation Class	A(105°C)
UL Temperature Code	NA

PHILIPS

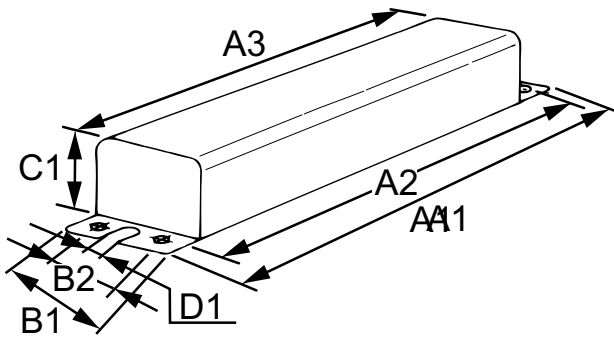
F-can (72C)

Product Data

Order product name F-CAN HID 72C6082NP001
 EAN/UPC - Product 781087025161
 Order code 72C6082NP001
 Numerator - Quantity Per Pack 1

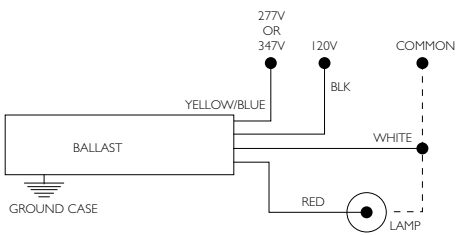
Numerator - Packs per outer box 1
 Material Nr. (12NC) 913710409201
 Net Weight (Piece) 10.293 kg

Dimensional drawing



MH BAL 400W M59 120/277V FCAN

Product	A1	A2	A3	B1	B2	C1	D1
F-CAN HID 72C6082NP001	12 in	18.63 in	18 in	3.9 in	2.0 in	2.6 in	0.3 in



© 2016 Philips Lighting Holding B.V.
 All rights reserved.

Specifications are subject to change without notice. Trademarks are the property of Koninklijke Philips N.V. (Royal Philips) or their respective owners.

www.philips.com/lighting

2016, February 1
 data subject to change