



Standard

STANDARD MAG BALLAST (1) 13W COMPACT(2-PIN) 277V

Available for many fluorescent lamp types sold today, including Preheat, Rapid Start, 2-pin CFL, Slimline, High Output, Very High Output and Circline. Magnetic ballasts can be used in any application where these lamps are used.

Product data

• General Information

Lamp Type	CFQ13W/GX23
Number of Lamps	1 piece/unit
Lamp Footage	-
Ballast Type	Magnetic Fluorescent
Base Model	VLO13TP
Suitable For Outdoor Use	Yes
Automatic Restart	Yes

• Operating and Electrical

Input Voltage	277 V
Input Frequency	60 Hz
Max THD	10 %
Starting Method	Preheat
Lamp Current Crest Factor (Nom)	1.5
Ignition Time (Nom)	1 s
Inp. Current (Open Circuit)	0
Input Current (Starting)	0.35
Ballast Factor (Nom)	1
Power Factor (Nom)	0.27
Input Current (Operating) (Nom)	0.3 A
Input Power (Nom)	21 W
Rated Lamp Watts	13W W

• Wiring

Wire Striplength	0.50/0.375 mm
Lamp Connection	Series
Wire Length By Color	See data sheet
Wire Gauge (Nom)	18AWG mm

Wire Type	Solid
Remote Wiring Configuration Allowed	Yes
Tandem Wiring Configuration Allowed	No
Through Wiring Configuration Allowed	No
Max Ballast-Lamp Distance Remote Wiring	30'
Max Ballast-Lamp Distance Tandem Wiring	-
Max Ballast-Lamp Distance Through Wiring	-

• Mechanical and Housing

Housing Material	Metal
Housing	X5
Housing Dimensions	3.25" x 1.75" x 2.0"

• Approval and Application

EMC Immunity Standard	FCC Non-Consumer
Sound Rating	A
UL Recognized	No

• Product Data

Order product name	STANDARD VLO13TPI
EAN/UPC - Product	781087117224

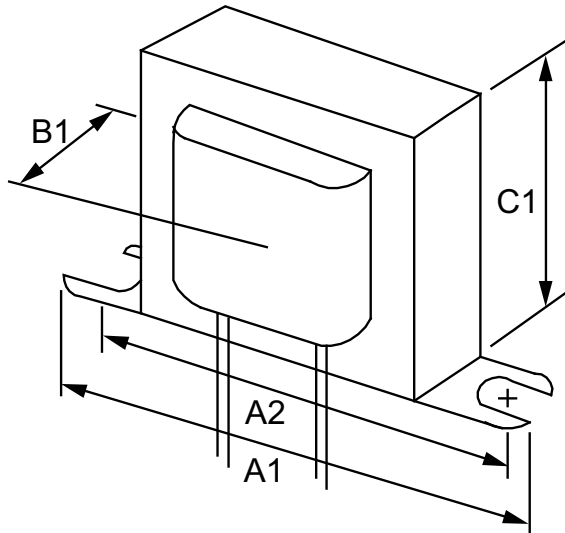
PHILIPS

Standard

Order code VLO13TPI
Numerator - Quantity Per Pack 1
Numerator - Packs per outer box 12

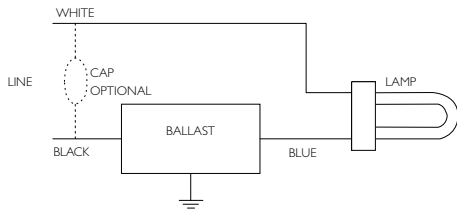
Material Nr. (12NC) 913700557219
Net Weight (Piece) 0.486 kg

Dimensional drawing



MAG BALLAST (1) 13W COMPACT(2-PIN) 277V

Product	A1	A2	B1	C1
STANDARD VLO13TPI	3.75 in	2.19 in	1.75 in	2 in



© 2016 Philips Lighting Holding B.V.
All rights reserved.

Specifications are subject to change without notice. Trademarks are the property of Koninklijke Philips N.V. (Royal Philips) or their respective owners.

www.philips.com/lighting

2016, February 1
data subject to change