

Core & Coil (71A) MH > 450W

CORE & COIL HID MH BAL 1500W M48 QUAD KIT

The basic ballast is the open core and coil which is most often used as a component within a lighting luminaire. The core and coil also forms the nucleus of Philips Advance's five other ballast configurations.

Product data

• General Information

ANSI Code	M48
Lamp Type	1500W MH
Number of Lamps	1 piece/unit
Circuit Type	CWA
Ballast Type	Magnetic HID
Base Model	71A6772
Core Size	4 1/4 x 6 (2 Coil NB)
Suitable For Outdoor Use	Yes
Ignitor Catalog Number	NA
Ignitor Temperature Rating	NA
Capacitor Value	32 MFD
Capacitor Catalog Number	MD3202100
Capacitor Requirements	525V
Capacitor Temperature Rating	90°C
Capacitor Diameter/Oval Dimensions	2 in
Capacitor Height	3.75 in
Automatic Restart	No

• Operating and Electrical

Input Voltage	120/208/240/277 V
Input Frequency	60 Hz
Inp. Current (Open Circuit)	5.72/3.29/3.04/2.57 A
Input Current (Starting)	10.8/6.13/5.42/4.72 A
Input Current (Short Circuit)	9.1-13.6/5.22-7.83/4.56-6.84/3.96-5.95 V

Secondary Short Circuit Current	7.29-8.9 A
Constant Wattage Deviation	12%
Ballast Factor (Nom)	1
Power Factor (Nom)	0.90
Nominal Open Circuit Voltage	460 V
Input Current (Operating) (Nom)	13.4/7.8/6.8/5.9 A A
Input Power (Nom)	1610 W
Rated Lamp Watts	1500W W

• Wiring

Wire Striplength	0.5 mm
Wire Length By Color	12"
Wire Type	Stranded
Remote Wiring Configuration Allowed	Yes
Max Ballast-Lamp Distance Remote Wiring	Determined by AWG used
Recommended Fuse Value	30/25/20/15 A

• Approval and Application

Open Circuit Voltage Test (Volts)	414-506 V
Approbation Marks	ULR CSA certificate RoHS Compliant G/E/E/G
Temperature Marking	

PHILIPS

Core & Coil (71A) MH > 450W

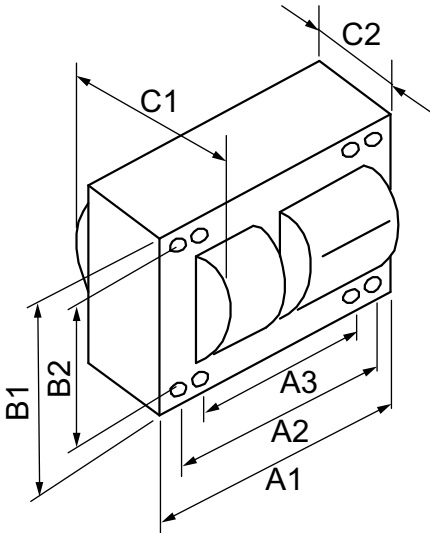
UL Recognized	Yes
Hipot Test (1 Minute)	2000 V
Hipot Test (2 Seconds)	2500 V
UL Insulation Class	H(180°C)
UL Temperature Code	1029G

EAN/UPC - Product	781087677216
Order code	71A6772001
Numerator - Quantity Per Pack	1
Numerator - Packs per outer box	1
Material Nr. (12NC)	913700574909
Net Weight (Piece)	14.370 kg

• Product Data

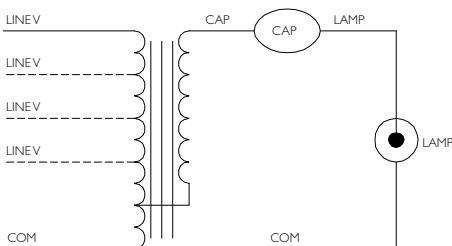
Order product name CORE & COIL HID 71A6772001

Dimensional drawing



MH BAL 1500W M48 QUAD KIT

Product	C1	C2	A1	A2	A3	B1	B2
CORE & COIL HID 71A6772001	6.7 in	4.7 in	6 in	5.4 in	4.4 in	4.3 in	3.9 in



© 2016 Philips Lighting Holding B.V.
All rights reserved.

Specifications are subject to change without notice. Trademarks are the property of Koninklijke Philips N.V. (Royal Philips) or their respective owners.

www.philips.com/lighting

2016, February 1
data subject to change