

Core & Coil (71A) MH 175W - 450W

CORE & COIL HID MH BAL 250W M58 5-TAP KIT

The basic ballast is the open core and coil which is most often used as a component within a lighting luminaire. The core and coil also forms the nucleus of Philips Advance's five other ballast configurations.

Product data

• General Information

Ansi Code	M58
Lamp Type	250W MH
Number of Lamps	1 piece/unit
Circuit Type	CWA
Ballast Type	Magnetic HID
Base Model	71A5750
Core Size	4 1/4 x 4 3/4 (2 coil)
Suitable For Outdoor Use	Yes
Ignitor Catalog Number	NA
Ignitor Temperature Rating	NA
Capacitor Value	15 MFD
Capacitor Catalog Number	7C150P40R
Capacitor Requirements	400V
Capacitor Temperature Rating	105°C
Capacitor Diameter/Oval Dimensions	1.75 in
Capacitor Height	3.75 in
Automatic Restart	No

• Operating and Electrical

Input Voltage	120/208/240/277/480 V
Input Frequency	60 Hz
Inp. Current (Open Circuit)	2/1.2/1/0.9/0.5 A
Input Current (Starting)	2.4/1.4/1.2/1.05/0.6 A
Input Current (Short Circuit)	1.9-2.9/1.1-1.7/0.9-1.4/0.8-1.25/0.45-0.75 A

Secondary Short Circuit Current	2.25-2.8 A
Constant Wattage Deviation	10%
Ballast Factor (Nom)	1
Power Factor (Nom)	0.90
Nominal Open Circuit Voltage	315 V
Input Current (Operating) (Nom)	2.6/1.5/1.4/1.1/0.65 A A
Input Power (Nom)	290 W
Rated Lamp Watts	250W W

• Wiring

Wire Striplength	0.5 mm
Wire Length By Color	12"
Wire Type	Stranded
Remote Wiring Configuration Allowed	Yes
Max Ballast-Lamp Distance Remote Wiring	Determined by AWG used
Recommended Fuse Value	8/5/5/3/2 A

• Approval and Application

Open Circuit Voltage Test (Volts)	285-345 V
Approbation Marks	ULR CSA certificate RoHS Compliant A/A/B/A/B
Temperature Marking	

PHILIPS

Core & Coil (71A) MH 175W - 450W

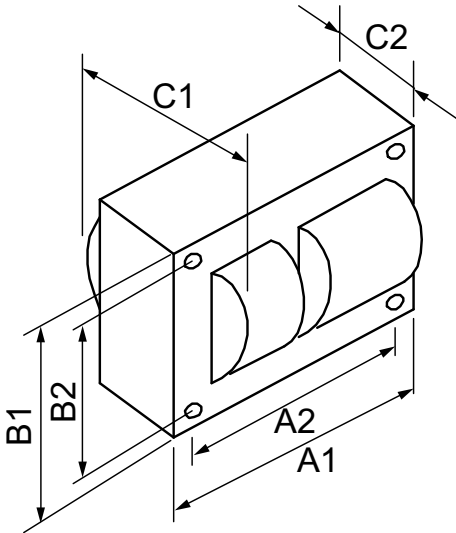
UL Recognized	Yes
Hipot Test (1 Minute)	2000 V
Hipot Test (2 Seconds)	2500 V
UL Insulation Class	H(180°C)
UL Temperature Code	1029B

EAN/UPC - Product	781087111789
Order code	71A5750001D
Numerator - Quantity Per Pack	1
Numerator - Packs per outer box	1
Material Nr. (12NC)	913710413801
Net Weight (Piece)	0.010 kg

• Product Data

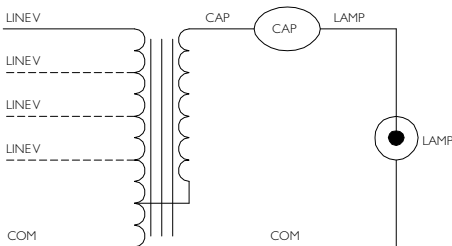
Order product name CORE & COIL HID 71A5750001D

Dimensional drawing



MH BAL 250W M58 5-TAP KIT

Product	C1	C2	A1	A2	B1	B2
CORE & COIL HID 71A5750001D	3.1 in	1.6 in	4.8 in	4.4 in	4.3 in	3.9 in



© 2016 Philips Lighting Holding B.V.
All rights reserved.

Specifications are subject to change without notice. Trademarks are the property of Koninklijke Philips N.V. (Royal Philips) or their respective owners.

www.philips.com/lighting

2016, February 1
data subject to change