



F-can (72C)

F-CAN HID MH BAL 150W M102/142 120/277V FCAN

The Philips Advance line of F-can HID ballasts comes in two dual-voltage configurations for the US and Canadian market. Ballasts for these luminaires are most often encased and potted in fluorescent ballast type cans.

Product data

• General Information

Ansi Code	M102/M142 (Pulse Start)
Lamp Type	150W MH
Number of Lamps	1 piece/unit
Circuit Type	HX-HPF
Ballast Type	Magnetic HID
Base Model	72C5482
Suitable For Outdoor Use	Yes
Ignitor Catalog Number	Inside Can
Capacitor Catalog Number	Inside Can
Automatic Restart	No

• Operating and Electrical

Input Voltage	120/277 V
Input Frequency	60 Hz
Inp. Current (Open Circuit)	3.65/1.55 A
Input Current (Starting)	1.5/0.75 A
Input Current (Short Circuit)	1.45-2.15/0.6-0.95 A
Secondary Short Circuit Current	2.0-2.5 A
Constant Wattage Deviation	12%
Ballast Factor (Nom)	1
Power Factor (Nom)	0.90
Nominal Open Circuit Voltage	277 V
Input Current (Operating) (Nom)	1.6/0.7 A A
Input Power (Nom)	180 W
Rated Lamp Watts	150W W

• Wiring

Wire Striplength	0.5 mm
Wire Length By Color	12"
Wire Type	Stranded
Remote Wiring Configuration Allowed	Yes
Max Ballast-Lamp Distance Remote Wiring	5'
Recommended Fuse Value	10/4 A

• Mechanical and Housing

Housing Material	Metal
Housing	F-Can
Housing Dimensions	14.3 x 2.63 x 3.19

• Approval and Application

Open Circuit Voltage Test (Volts)	250-300 V
Temperature Marking	90°C max. case
UL Recognized	No
Hipot Test (1 Minute)	1600 V
Hipot Test (2 Seconds)	2000 V
UL Insulation Class	A(105°C)
UL Temperature Code	NA

PHILIPS

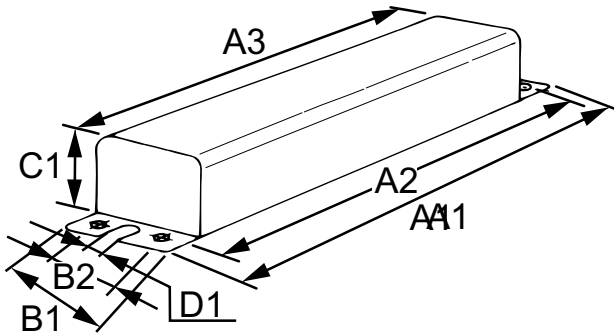
F-can (72C)

Product Data

Order product name F-CAN HID 72C5482NP
EAN/UPC - Product 781087007747
Order code 72C5482NP
Numerator - Quantity Per Pack 1

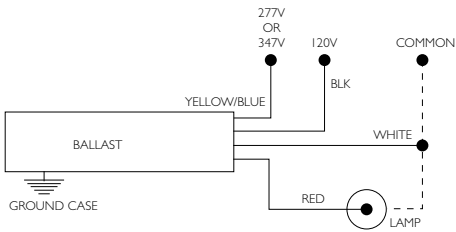
Numerator - Packs per outer box 2
Material Nr. (12NC) 913700580109
Net Weight (Piece) 5.639 kg

Dimensional drawing



MH BAL 150W M102/142 120/277 FCAN

Product	A1	A2	A3	B1	B2	C1	D1
F-CAN HID 72C5482NP	12 in	13.75 in	13.13 in	3.9 in	2.0 in	2.6 in	0.3 in



© 2016 Philips Lighting Holding B.V.
All rights reserved.

Specifications are subject to change without notice. Trademarks are the property of Koninklijke Philips N.V. (Royal Philips) or their respective owners.

www.philips.com/lighting

2016, February 1
data subject to change