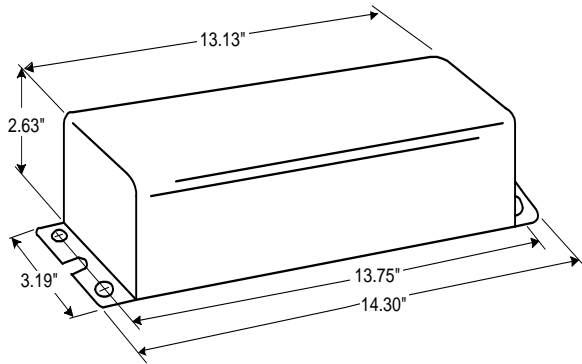


**PHILIPS  
ADVANCE**

**Metal  
Halide  
Lamp Ballast**

**Catalog Number 72C5482  
For 150W M102/M142  
60 Hz HX-HPF  
Status: Active**

**DIMENSIONS AND DATA**



|  |                |           |   |   |   |
|--|----------------|-----------|---|---|---|
| INPUT VOLTS  | 120            | 277       |   |   |   |
| CIRCUIT TYPE   | HX-HPF         |           |   |   |   |
| POWER FACTOR (min)   | 90%            |           |   |   |   |
| REGULATION   |                |           |   |   |   |
| Line Volts   | ±5%            |           |   |   |   |
| Lamp Watts   | ±12%           |           |   |   |   |
| LINE CURRENT (Amps)  |                |           |   |   |   |
| Operating.....   | 1.60           | 0.70      |   |   |   |
| Open Circuit.....  | 3.65           | 1.55      |   |   |   |
| Starting.....  | 1.50           | 0.75      |   |   |   |
| UL TEMPERATURE RATINGS   |                |           |   |   |   |
| Insulation Class   | A (105°C)      |           |   |   |   |
| Coil Temperature Code  | 1029           |           |   |   |   |
| MIN. AMBIENT STARTING TEMP.  | -20°F or -30°C |           |   |   |   |
| NOM. OPEN CIRCUIT VOLTAGE  | 277            |           |   |   |   |
| INPUT VOLTAGE AT LAMP DROPOUT.....   | 72             | 166       |   |   |   |
| INPUT WATTS  | 180            |           |   |   |   |
| RECOMMENDED FUSE (Amps).....   | 10             | 4         |   |   |   |
| CORE and COIL  |                |           |   |   |   |
| Dimension (A)  |                |           |   |   |   |
| Dimension (B)  |                |           |   |   |   |
| Weight (lbs.)  | 13             |           |   |   |   |
| Lead Lengths   | 12"            |           |   |   |   |
| CAPACITOR REQUIREMENT  |                |           |   |   |   |
| Microfarads  |                |           |   |   |   |
| Volts (min.)   |                |           |   |   |   |
| Fault Current Withstand (amps)   |                |           |   |   |   |
| 60 Hz TEST PROCEDURES (Refer to Advance Test Procedure for HID Ballasts - Form 1270) |                |           |   |   |   |
| High Potential Test (Volts)  |                |           |   |   |   |
| 1 minute   | 1600           |           |   |   |   |
| 2 seconds  | 2000           |           |   |   |   |
| Open Circuit Voltage Test (Volts)  | 250-300        |           |   |   |   |
| Short-Circuit Current Test (Amps)  |                |           |   |   |   |
| Secondary Current  | 2.00-2.50      |           |   |   |   |
| Input Current.....   | 1.45-2.15      | 0.60-0.95 | - | - | - |

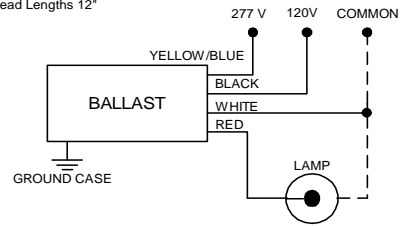
Capacitor:

The capacitor is included as part of the potted assembly.



**Wiring Diagram:**

All Lead Lengths 12"



F-Can Wiring Diagram

**Ordering Information**

Order Suffix

Description

Ignitor: IN CAN

The ignitor is included as part of the potted assembly.

Ballast to Lamp Distance (BTL) = 5 feet  
Temp Rating: 90°C

Data is based upon tests performed by Philips Lighting Electronic N.A. in a controlled environment and representative of relative performance. Actual performance can vary depending on operating conditions. Specifications are subject to change without notice.

**Philips Lighting Electronic N.A.**

10275 West Higgins Road · Rosemont, IL 60018 · Tel:800-322-2086 Fax:888-432-1882  
Customer Support/ Technical Service:800-372-3331 · OEM Support: 866-915-5886

07/18/13