

# Core & Coil (71A) HPS < 200W

## CORE & COIL HID HPS BAL 100W S54 QUAD KIT

The basic ballast is the open core and coil which is most often used as a component within a lighting luminaire. The core and coil also forms the nucleus of Philips Advance's five other ballast configurations.

### Product data

#### • General Information

Ansi Code	S54
Lamp Type	100W HPS
Number of Lamps	1 piece/unit
Circuit Type	HX-HPF
Ballast Type	Magnetic HID
Base Model	71A8071
Core Size	3 X 4 (2 LW)
Suitable For Outdoor Use	Yes
Ignitor Catalog Number	LI551-H4
Ignitor Temperature Rating	105°C
Capacitor Value	10 MFD
Capacitor Catalog Number	7C100M30RA
Capacitor Requirements	280V
Capacitor Temperature Rating	105°C
Capacitor Diameter/Oval Dimensions	1.65 in
Capacitor Height	2.75 in
Automatic Restart	No

#### • Operating and Electrical

Input Voltage	120/208/240/277 V
Input Frequency	60 Hz
Inp. Current (Open Circuit)	2.2/1.25/1.1/0.85 A
Input Current (Starting)	0.75/0.45/0.37/0.3 A
Input Current (Short Circuit)	0.6-0.9/0.35-0.55/0.3-0.45/0.29-0.43 A

Secondary Short Circuit Current	2.6-3.3 A
Constant Wattage Deviation	Within Trapezoid
Ballast Factor (Nom)	1
Power Factor (Nom)	0.90
Nominal Open Circuit Voltage	125 V
Input Current (Operating) (Nom)	1.15/0.67/0.58/0.5 A
Input Power (Nom)	135 W
Rated Lamp Watts	100W W

#### • Wiring

Wire Striplength	0.5 mm
Wire Length By Color	12"
Wire Type	Stranded
Remote Wiring Configuration Allowed	Yes
Max Ballast-Lamp Distance Remote Wiring	2'
Recommended Fuse Value	7/5/3/3 A

#### • Approval and Application

Open Circuit Voltage Test (Volts)	110-130 V
Approbation Marks	ULR CSA certificate RoHS Compliant E/F/E/D
Temperature Marking	

**PHILIPS**

## Core & Coil (71A) HPS < 200W

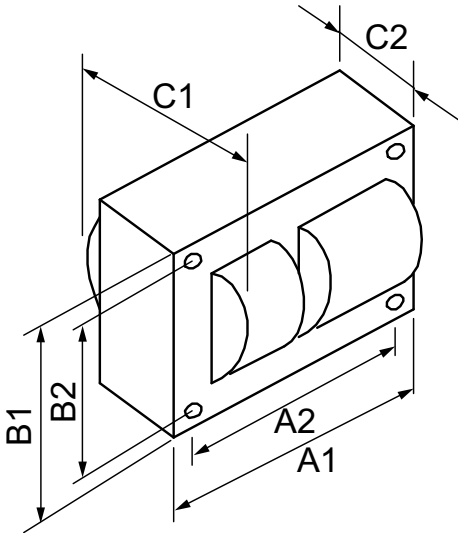
UL Recognized	Yes
Hipot Test (1 Minute)	2000 V
Hipot Test (2 Seconds)	2500 V
UL Insulation Class	H(180°C)
UL Temperature Code	1029F

EAN/UPC - Product	781087807118
Order code	71A8071001D
Numerator - Quantity Per Pack	1
Numerator - Packs per outer box	1
Material Nr. (12NC)	913700556409
Net Weight (Piece)	3.207 kg

### • Product Data

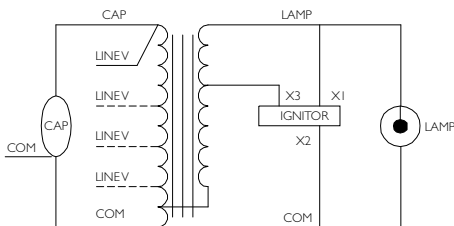
Order product name CORE & COIL HID 71A8071001D

### Dimensional drawing



### HPS BAL 100W S54 QUAD KIT

Product	C1	C2	A1	A2	B1	B2
CORE & COIL HID 71A8071001D	3.45 in	2 in	3.9 in	3.5 in	2.8 in	2.4 in



© 2015 Philips Lighting Holding B.V.  
All rights reserved.

Specifications are subject to change without notice. Trademarks are the property of Koninklijke Philips N.V. (Royal Philips) or their respective owners.

[www.philips.com/lighting](http://www.philips.com/lighting)

2015, December 24  
data subject to change