

INSTALLATION INSTRUCTIONS

SOFTVIEW - SURFACE MOUNT

Philips Lighting North America Corporation
200 Franklin Square Drive,
Somerset, NJ 08873, USA

Philips Lighting Canada Ltd.
281 Hillmount Road,
Markham ON, Canada L6C 2S3

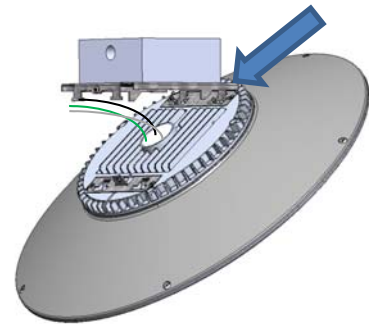
TOOLS REQUIRED:
• WIRE NUTS (QTY 3)

• PHILIPS HEAD SCREWDRIVER

REMOVE (QTY 1) SCREW LOCATED AT THE FRONT OF THE TOP SHEET METAL BRACKET AND REMOVE THE TOP JUNCTION BOX MOUNTING BRACKET FROM THE TOP. RETAIN THE SET SCREW.



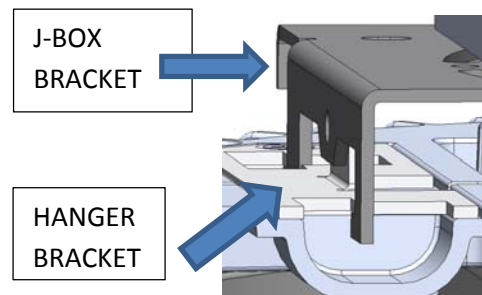
ATTACH THE TOP MOUNTING BRACKET TO THE JUNCTION BOX USING (QTY 2 - 4) SCREWS PROVIDED WITH THE JUNCTION BOX BY OTHERS



HANG THE SOFTVIEW ON JUNCTION BOX BRACKET. MAKE FIELD SPlice CONNECTIONS USING WIRE NUTS (BY OTHERS). PUSH WIRES INTO JUNCTION BOX. BE SURE THAT ALL WIRES AND WIRE NUTS ARE SECURE AND WILL NOT INTERFERE WITH FINAL INSTALLATION

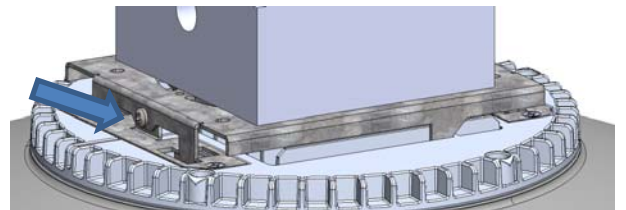
PUSH THE FIXTURE UP LEVEL SO THAT THE JUNCTION BRACKET ENGAGES WITH THE FRONT HANGER BRACKET.

BE SURE THAT THE JUNCTION BOX BRACKET IS IN FRONT OF THE HANGER BRACKET AND BOTH BRACKETS ARE MAKING CONTACT.



REPLACE THE SET SCREW LOCATED AT THE FRONT OF THE TOP SHEET METAL BRACKET. TORQUE TO 19 IN. LB.

REMOVE THE PROTECTIVE FILM OVER THE BOTTOM LENS



IMPORTANT: Read carefully before installing. All work should be performed by a qualified Electrician. These instructions may not provide directions to cover every variation and detail. To obtain additional information, consult your vendor or contact the factory directly for assistance before attempting anything with uncertainty. Improper installation and/or utilization may void manufacturer's warranty.

This fixture must be grounded in accordance with local codes and the NATIONAL ELECTRIC CODE. Failure to do so may result in serious personal injury. LED luminaires should be operated on grounded systems only.

CAUTION: Make sure all power is turned off while installing or servicing unit. Do not turn power on until fixture is completely installed. Turn power off at the circuit breaker.

GENERAL: Upon receipt inspect for any freight damage which should be brought to the attention of the delivering carrier. See "Damage and Shortage Claims" for proper steps in filing claims with the carrier. Compare the catalog description listed on the packing slip with the label on the carton to assure you have received the correct material.

INSTALLATION INSTRUCTIONS

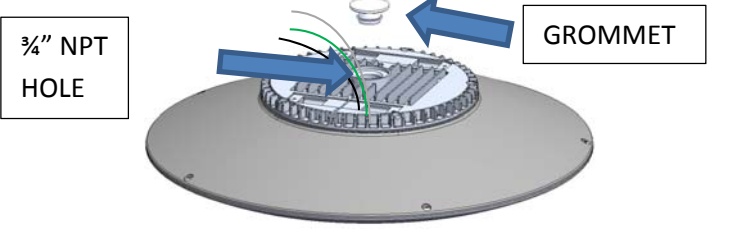
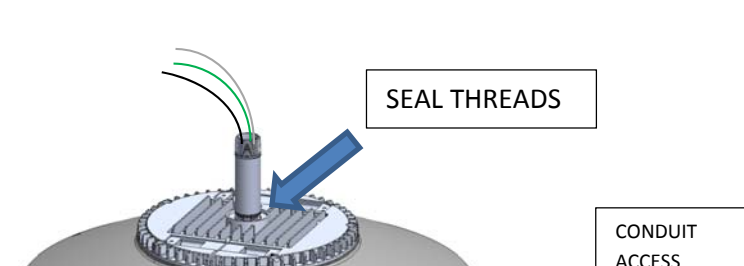
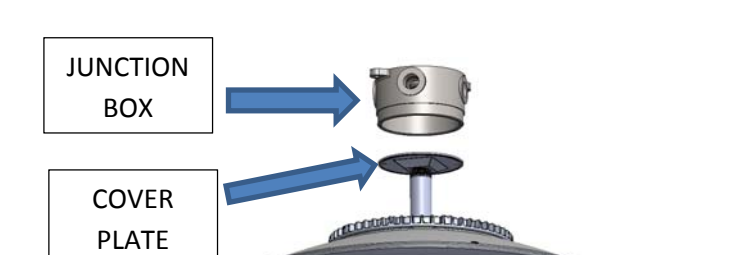
SOFTVIEW - PENDANT MOUNT

Philips Lighting North America Corporation
200 Franklin Square Drive,
Somerset, NJ 08873, USA

Philips Lighting Canada Ltd.
281 Hillmount Road,
Markham ON, Canada L6C 2S3

TOOLS AND MATERIAL REQUIRED:

- WIRE NUTS (QTY 3)
- TEFLON TAPE
- PHILIPS AND FLAT HEAD SCREWDRIVERS
- CRESCENT WRENCH

<p>REMOVE WIRE WAY GROMMET AT THE TOP OF THE CASTING AND DISCARD PART. THE EXPOSED INTERNAL HOLE HAS A 3/4" NPT INTERNAL THREAD. THIS 3/4" NPT HOLE IS FOR RIGID PENDANT</p>	 <p>3/4" NPT HOLE</p> <p>GROMMET</p>
<p>SEAL THREADS WITH TEFLON TAPE OR PLUMBERS PUTTY. SCREW A 3/4" NPT PIPE (NO LONGER THAN 18") INTO HOLE PROVIDED. PIPE SUPPLIED BY OTHERS. IT MAY BE NECESSARY TO SEAL THE CONDUIT INTERNALLY WITH RTV BECAUSE OF CRACKS IN THE CEILING. TIGHTEN CONDUIT WITH CRESCENT WRENCH. THREADS SHOULD ENGAGE 1/2" MINIMUM INTO THE CASTING</p>	 <p>SEAL THREADS</p> <p>CONDUIT ACCESS PORT (BY OTHERS)</p>
<p>IF THE HEIGHT FROM THE JUNCTION BOX IS TALLER THAN 20", A CONDUIT ACCESS PORT MIGHT BE REQUIRED</p>	
<p>MOUNT THE FIXTURE WITH PENDANT TO AN OUTLET COVER PLATE. IT IS RECOMMENDED THAT THE JUNCTION BOX BE OUTDOOR WATERTIGHT RATED, AND THE COVER HAVE A 3/4" HOLE FOR EASE OF ASSEMBLY AND RELIABLE WATER PROTECTION. (SUPPLIED BY OTHERS)</p>	 <p>JUNCTION BOX</p> <p>COVER PLATE</p>
<p>MAKE THE FIELD ELECTRICAL CONNECTIONS TO THE FIXTURE. SCREW THE COVER PLATE MOUNTING FASTENERS TO THE OUTLET JUNCTION BOX. REMOVE PROTECTIVE COVER FILM FROM LENS</p>	

IMPORTANT: Read carefully before installing. All work should be performed by a qualified Electrician. These instructions may not provide directions to cover every variation and detail. To obtain additional information, consult your vendor or contact the factory directly for assistance before attempting anything with uncertainty. Improper installation and/or utilization may void manufacturer's warranty.

This fixture must be grounded in accordance with local codes and the NATIONAL ELECTRIC CODE. Failure to do so may result in serious personal injury. LED luminaires should be operated on grounded systems only.

CAUTION: Make sure all power is turned off while installing or servicing unit. Do not turn power on until fixture is completely installed. Turn power off at the circuit breaker.

GENERAL: Upon receipt inspect for any freight damage which should be brought to the attention of the delivering carrier. See "Damage and Shortage Claims" for proper steps in filing claims with the carrier. Compare the catalog description listed on the packing slip with the label on the carton to assure you have received the correct material.

INSTALLATION INSTRUCTIONS

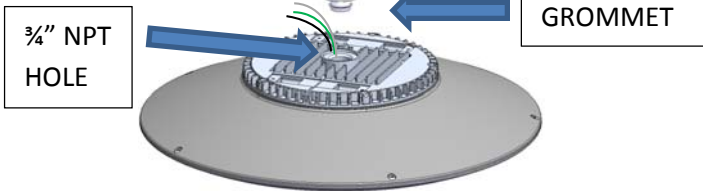
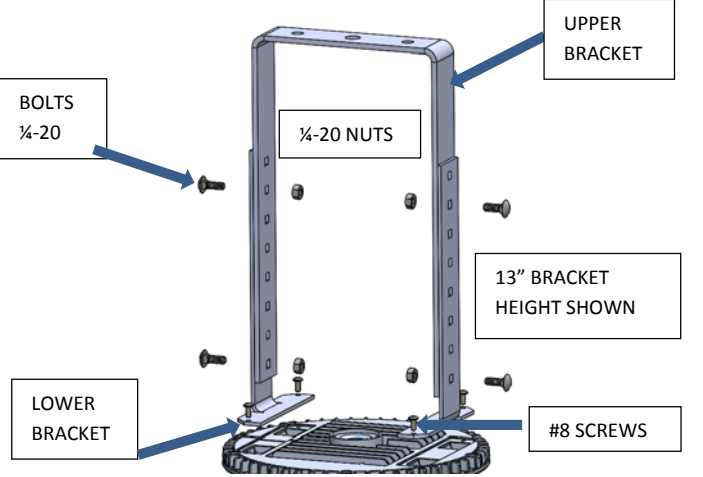
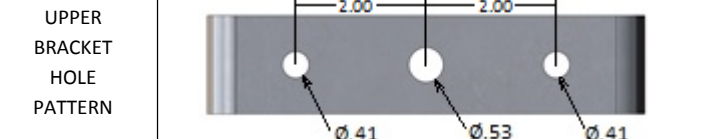

Philips Lighting North America Corporation
200 Franklin Square Drive,
Somerset, NJ 08873, USA

Philips Lighting Canada Ltd.
281 Hillmount Road,
Markham ON, Canada L6C 2S3

SOFTVIEW – TRUNNION MOUNT

TOOLS AND MATERIAL REQUIRED:

- WIRE NUTS (QTY 3)
- TEFLON TAPE
- PHILIPS AND FLAT HEAD SCREWDRIVERS
- CRESCENT WRENCH

<p>REMOVE WIRE WAY GROMMET AT THE TOP OF THE CASTING AND DISCARD PART. THE EXPOSED INTERNAL HOLE HAS A 3/4" NPT INTERNAL THREAD. THIS 3/4" NPT HOLE IS FOR ALL FLEX CONDUIT OR RIGID PENDANT.</p>	 <p>3/4" NPT HOLE</p> <p>GROMMET</p>
<p>ATTACH LOWER TRUNNION BRACKET TO TOP OF CASTING WITH #8 SCREWS ON BOTH SIDES. (TORQUE 19 IN. LBS.) ADJUST HEIGHT OF UPPER BRACKET WITHIN A RANGE OF 13" TO 20". INSERT 4 (SUPPLIED) 1/4-20 CARRIAGE BOLTS AND NUTS TO SECURE LOWER BRACKET TO UPPER BRACKET. (TORQUE 65 IN. LBS.)</p>	 <p>UPPER BRACKET</p> <p>BOLTS 1/4-20</p> <p>1/4-20 NUTS</p> <p>13" BRACKET HEIGHT SHOWN</p> <p>LOWER BRACKET</p> <p>#8 SCREWS</p>
<p>BEFORE ATTACHING CONDUIT, SEAL THREADS WITH TEFLON TAPE OR PLUMBERS PUTTY. SCREW A 3/4" NPT PIPE OR FLEX CONDUIT INTO HOLE PROVIDED. (PIPE SUPPLIED BY OTHERS.) TIGHTEN CONDUIT WITH CRESCENT WRENCH. THREADS SHOULD ENGAGE MINIMUM 1/2" INTO THE CASTING.</p>	<p>IF THE HEIGHT FROM THE JUNCTION BOX IS TALLER THAN 20" A CONDUIT ACCESS PORT (BY OTHERS) MIGHT BE REQUIRED.</p>
<p>MOUNT THE FIXTURE WITH AT LEAST TWO 3/8" CONCRETE ANCHOR BOLTS (SUPPLIED BY OTHERS) PROTRUDING 1" FROM CEILING SURFACE TO THE HOLE PATTERN. TIGHTEN BOLTS. ATTACH CONDUIT TO FIXTURE USING THE 3/4" NPT HOLE. IT IS RECOMMENDED THAT THE JUNCTION BOX (SUPPLIED BY OTHERS) BE OUTDOOR WATERTIGHT RATED AND THE COVER HAVE A 3/4" HOLE FOR EASE OF ASSEMBLY AND RELIABLE WATER PROTECTION.</p>	 <p>UPPER BRACKET HOLE PATTERN</p> <p>2.00</p> <p>2.00</p> <p>0.41</p> <p>0.53</p> <p>0.41</p>
<p>CONNECT LINE VOLTAGE WIRES TO FIXTURE'S WIRES USING WIRE NUTS (BY OTHERS). SCREW THE COVER PLATE MOUNTING FASTENERS TO THE OUTLET JUNCTION BOX. REMOVE PROTECTIVE COVER FILM FROM LENS.</p>	 <p>JUNCTION BOX</p>

IMPORTANT: Read carefully before installing. All work should be performed by a qualified Electrician. These instructions may not provide directions to cover every variation and detail. To obtain additional information, consult your vendor or contact the factory directly for assistance before attempting anything with uncertainty. Improper installation and/or utilization may void manufacturer's warranty. This fixture must be grounded in accordance with local codes and the NATIONAL ELECTRIC CODE. Failure to do so may result in serious personal injury. LED luminaires should be operated on grounded systems only.

CAUTION: Make sure all power is turned off while installing or servicing unit. Do not turn power on until fixture is completely installed. Turn power off at the circuit breaker.

GENERAL: Upon receipt inspect for any freight damage which should be brought to the attention of the delivering carrier. See "Damage and Shortage Claims" for proper steps in filing claims with the carrier. Compare the catalog description listed on the packing slip with the label on the carton to assure you have received the correct material.